

12W-E Blaze Series

PoE Ready White Light



EVENT-DRIVEN FUNCTIONALITY

Connects to a camera AND an alarm (or any other trigger device) via I/O ports to turn ON the white light upon pre-set conditions.

EASY INTEGRATION

Seamless and precise integration via I/O ports. Link multiple units together. Sync with camera or any other system device with input or output capability.

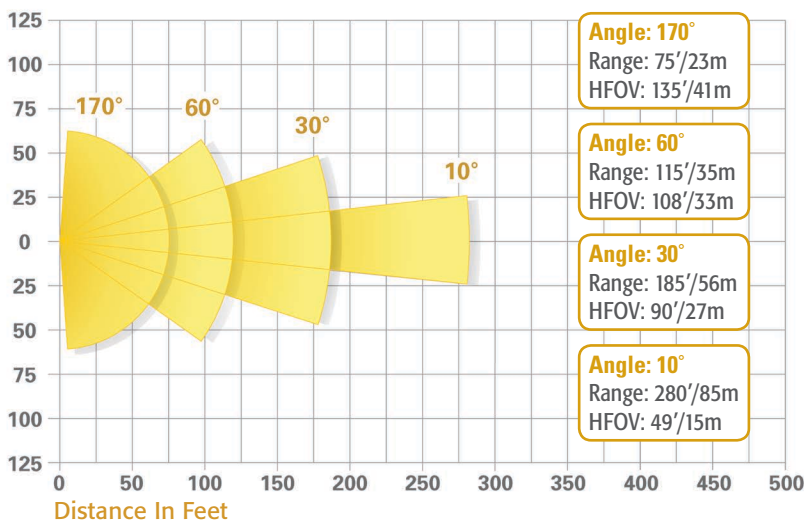
SIMPLE INSTALLATION

Just connect CAT5e/6 cable into appropriate midspan or retrofit White light into existing installation via a single cable using an AXTON PoE Pass-Thru Kit (AT-K8055).

MADE IN THE USA - LIFETIME WARRANTY

All products are designed and built in the USA and covered by a lifetime warranty.

ILLUMINATION DISTANCE



TIPS:

White (Visible) Light = Color Image

Color images contain important information helpful to security professionals during an alarm, or in the after-the-fact event assessment.

Retrofit the Light illuminator into existing installation

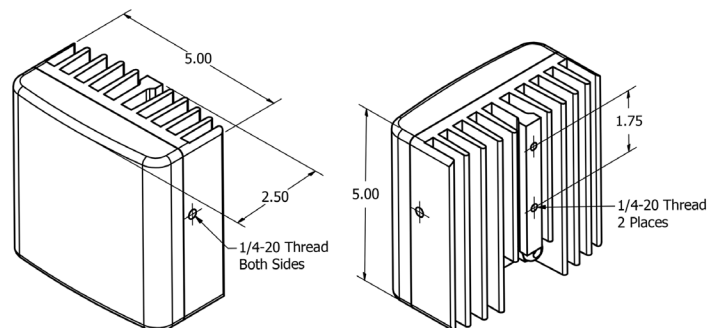
Use available Axton Pass-Thru Kit to install mid span from kit at head-end and use supplied T connector at camera location, that's it, done. Contact us for additional information.

Consider using I/O ports to sync Light & Camera

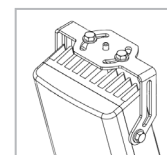
Input/Output ports allow to hard-wire light & the camera for seamless switching from day to night modes. You may also daisy chain multiple lights to switch ON/OFF synchronously.

SPECIFICATIONS

Input Voltage	PoE (IEEE 802.3af)
Power Consumption	12 Watts
Operating Temperature	-58°F...+140°F / -50°C...+60°C
Dimensions	5" x 4.9" x 2.5" / 127 x 125 x 64 mm
Weight	2 lbs/0.95kg.
Environmental	IP 67
Mounting	Tilting U-Bracket (included)



TILTING
U-BRACKET
included*



*Free to swap with
Mobotix or L bracket