

# 16S Smart Series

Infrared Illumination



## EASY INTEGRATION and CONTROL

Seamless & precise integration via I/O ports.  
Link multiple units together. Sync with camera or any other system device with input or output capability.  
Automatic On/ Off, Night/ Day switch via built-in photocell.

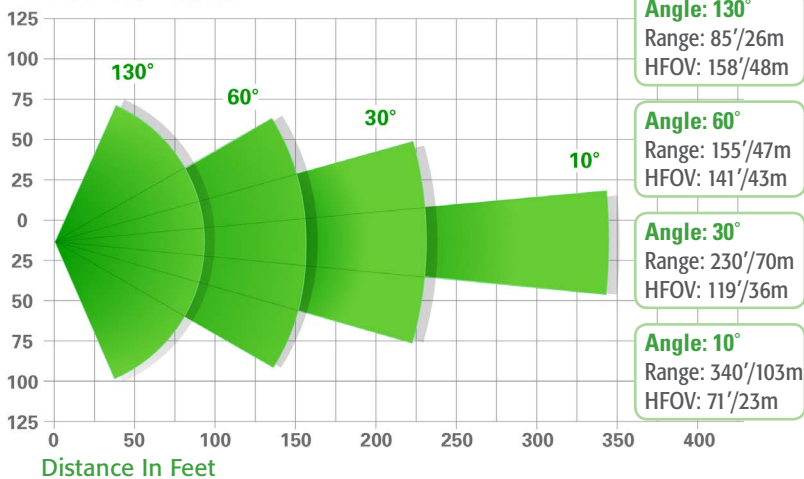
## SIMPLE INSTALLATION

Extended range (12-36) VDC or (12-24) VAC low-voltage input for simplified installation.

## LIFETIME WARRANTY - MADE IN THE USA

All products are covered by a lifetime warranty with advanced replacement. All illuminators are designed and manufactured in the USA.

## ILLUMINATION DISTANCE



### TIPS:

**HFOV - Horizontal Field Of View** - Coverage area in feet/meters or an angle. For optimal system performance HFOV should be matched to cameras field of view. The greater the coverage angle the less illumination distance.

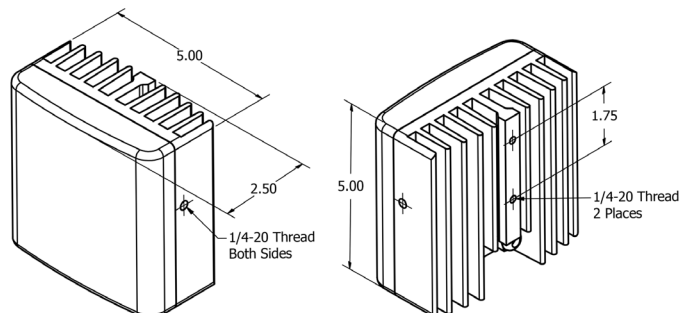
**Use IR-Corrected Lens** - Non IR-Corrected lenses may produce blurry images due to focus shift caused by IR light, this requires refocusing.

**To increase the range place several IRs together:**  
Two units = 40% more range, Three units = 70% more range

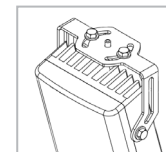
**Consider using I/O ports to synch IR & Camera** - Input/Output ports allow to hard-wire IR & the camera for seamless switching from day to night modes. You may also daisy chain multiple IRs to switch ON/OFF synchronously.

## SPECIFICATIONS

Wavelength	850nm (semi-covert)
Input Voltage	(12 - 36)V DC or (12 - 24)V AC
Power Consumption	16 W
Operating Temperature	-58°F...+140°F / -50°C...+60°C
Dimensions	5" x 4.9" x 2.5" / 127 x 125 x 64 mm
Weight	2 lbs/0.95kg.
Environmental	IP 67
Mounting	Tilting U-bracket



TILTING  
U-BRACKET  
included\*



\*Free to swap with  
Mobotix or L bracket



801 West Robinson Drive, Suite 500, North Salt Lake, UT 84054  
☎ 801/519-0500 📠 801/519-0501 ✉ sales@axtontech.com 🌐 www.axtontech.com

