

16W-S Blaze Series

Visible White Light



EVENT-DRIVEN FUNCTIONALITY

Connects to a camera AND an alarm (or any other trigger device) via I/O ports to turn ON the white light upon pre-set conditions.

EASY INTEGRATION

Seamless and precise integration via I/O ports. Link multiple units together. Sync with camera or any other system device with input or output capability.

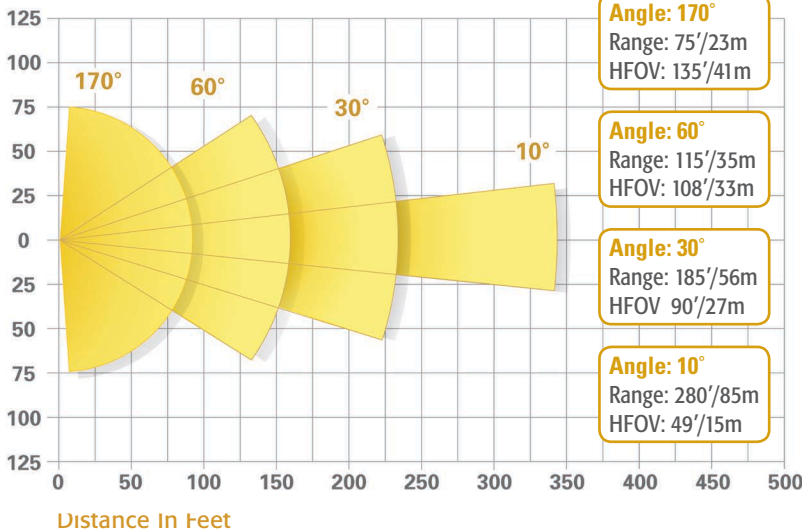
SIMPLE INSTALLATION

Extended range (12-36) VDC or (12-24) VAC low-voltage input for simplified installation.

MADE IN THE USA - LIFETIME WARRANTY

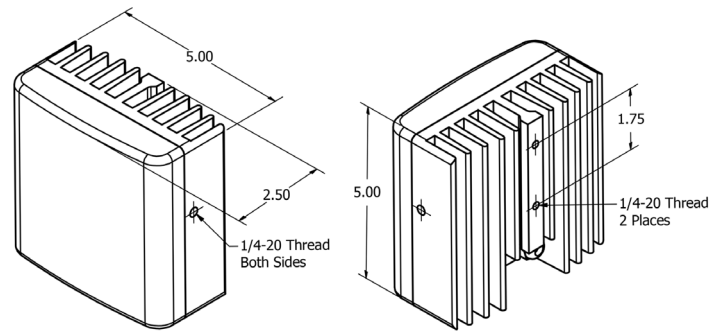
All products are designed and built in the USA and covered by a lifetime warranty.

ILLUMINATION DISTANCE

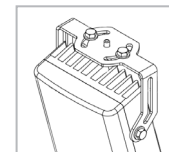


SPECIFICATIONS

Input Voltage	24 V AC/DC
Power Consumption	16 Watts
Operating Temperature	-58°F...+140°F / -50°C...+60°C
Dimensions	5" x 4.9" x 2.5" / 127 x 125 x 64 mm
Weight	2 lbs/0.95kg.
Environmental	IP 67
Mounting	Tilting U-Bracket (included)



TILTING U-BRACKET included*



*Free to swap with Mobotix or L bracket

TIPS:

White (Visible) Light = Color Image

Color images contain important information helpful to security professionals during an alarm, or in the after-the-fact event assessment.

HFOV - Horizontal Field Of View

Coverage area in feet/meters or an angle. For optimal system performance HFOV should be matched to cameras field of view. The greater the coverage angle the less illumination distance.

Consider using I/O ports to sync Light & Camera

Input/Output ports allow to hard-wire light & the camera for seamless switching from day to night modes. You may also daisy chain multiple lights to switch ON/OFF synchronously.



801 West Robinson Drive, Suite 500, North Salt Lake, UT 84054
 ☎ 801/519-0500 📠 801/519-0501 ✉ sales@axtontech.com 🌐 www.axtontech.com

