

# 180° Panoramic Hybrid

Wide Coverage IR + White Light



## INFRARED and VISIBLE WHITE LIGHT

Powerful combination of IR and event-driven white (visible) light designed to aid the performance of wide-angle panoramic cameras.

### WHITE LIGHT = COLOR PICTURE

Color images contain important information helpful to security professionals during an alarm, or in the after-the-fact event assessment.

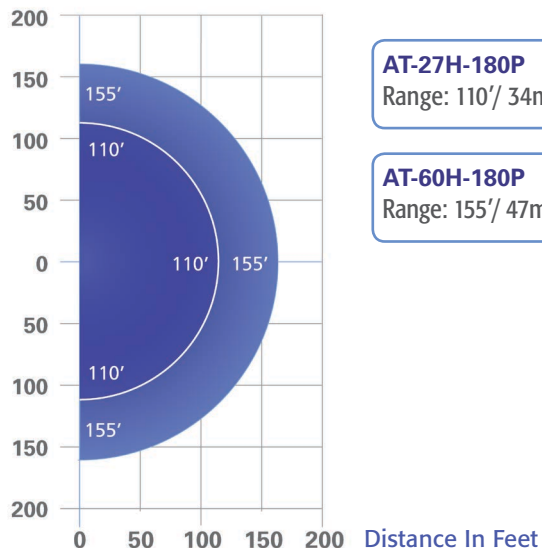
### EASY INTEGRATION and CONTROL

Connects to a camera AND an alarm (or any other trigger device) via I/O ports to turn ON the white light upon event occurrence.

### MADE IN THE USA - LIFETIME WARRANTY

All products are designed and built in the USA and covered by a lifetime warranty.

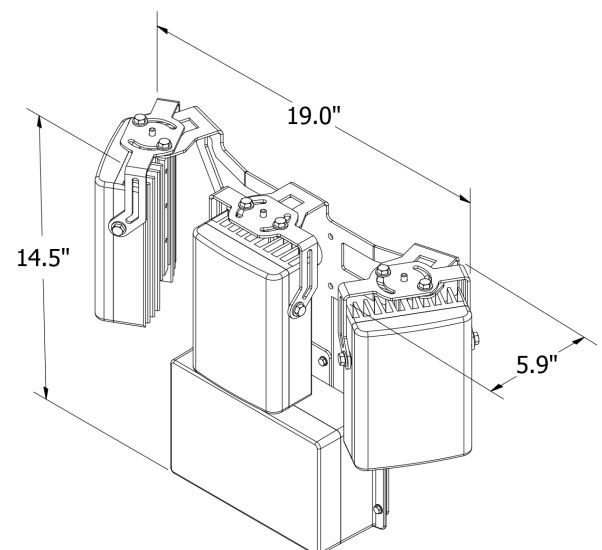
## ILLUMINATION DISTANCE



## SPECIFICATIONS

Wavelength	850nm IR (semi-covert) + White Light
Input Voltage	24V AC/DC, 110 or 220 VAC
Power Consumption	27 or 60 Watts
Operating Temperature	-58°F...+140°F / -50°C...+60°C
Dimensions	19" x 14.5" x 5.9" / 482 x 368 x 150mm
Weight	8.7 - 19.6 lbs / 3.9 - 8.9 kg (varies by model)
Environmental	IP 67
Mounting	Adjustable Pan / Tilt Panoramic*

\*Requires available Pole, Wall or Corner Adapter



### TIPS:

#### Event-Driven Functionality

Connect the HYBRID light to a camera AND an alarm (or any other I/O trigger device) to switch ON upon pre-set conditions.

#### White (Visible) Light = Color Image

Color images contain important information helpful to security professionals during an alarm or in the after-the-fact event assessment.

#### Night-time Surveillance & Crime Prevention

Use IR illumination by default for night-time surveillance, it isn't obtrusive and doesn't contribute to light pollution (nuisance lighting) in the area. Visible white light will turn ON upon alarm/event trigger to identify intruders and possibly prevent their further actions. A loud sound coupled with audio warning is also an effective deterrent tool.

