

180° Panoramic

Extra Wide Coverage IR



PANORAMIC INFRARED LIGHTING

Extra wide coverage angle to aid the performance of wide-angle panoramic cameras.

MULTIFUNCTIONAL PAN/TILT MOUNT

Fully adjustable Pan/Tilt mount with integrated junction box or power supply to simplify installation and add illumination control.

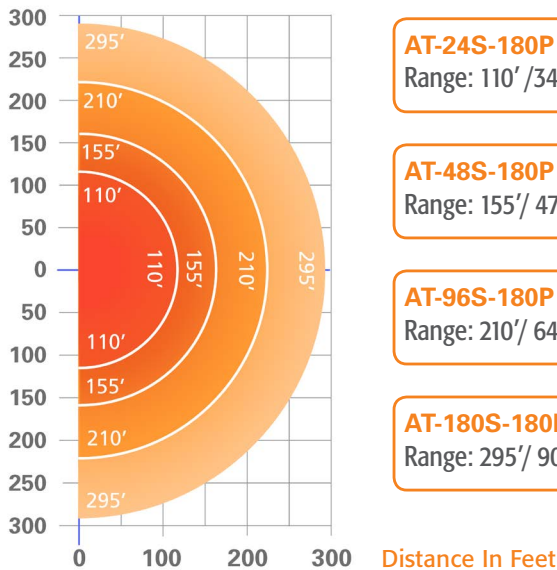
EASY INTEGRATION and CONTROL

Seamless and precise camera sync via I/O ports or via automatic Night/Day sensor.

LIFETIME WARRANTY - MADE IN THE USA

All products are covered by a lifetime warranty with advanced replacement. All illuminators are designed and manufactured in the USA.

ILLUMINATION DISTANCE



AT-24S-180P
Range: 110' / 34m

AT-48S-180P
Range: 155' / 47m

AT-96S-180P
Range: 210' / 64m

AT-180S-180P
Range: 295' / 90m

TIPS:

HFOV - Horizontal Field Of View - Coverage area in feet/meters or an angle. For optimal system performance HFOV should be matched to camera's field of view. The greater the coverage angle the less illumination distance.

Use IR-Corrected Lens

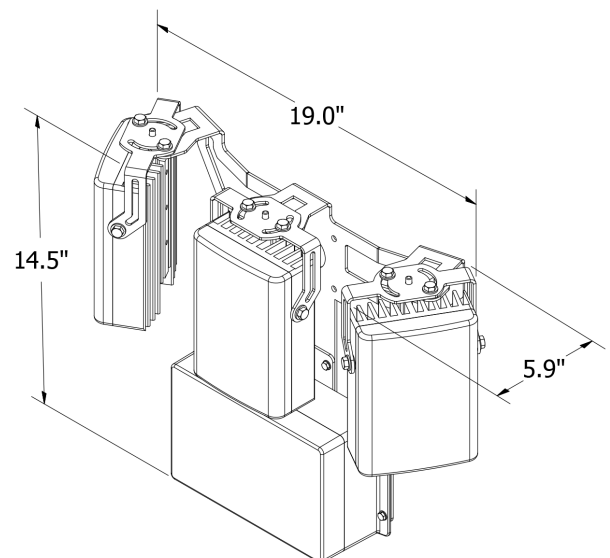
Non IR-Corrected lenses may produce blurry images due to focus shift caused by IR light, this requires refocusing.

Consider using I/O ports to sync with Camera

Input/Output ports allow to hard-wire IR & the camera for seamless switching from day to night modes. You may also daisy chain multiple IRs to switch ON/OFF in unison.

SPECIFICATIONS

Wavelength	850nm (semi-covert)
Input Voltage	24V AC/DC, 110 or 220 VAC
Power Consumption	24, 48, 96 or 180 Watts
Operating Temperature	-58°F...+140°F / -50°C...+60°C
Dimensions	19" x 14.5" x 5.9" / 482 x 368 x 150mm
Weight	8.7 - 30 lbs / 3.9 - 13.6 kg (varies by model)
Environmental	IP 67
Mounting	Adjustable Pan /Tilt U Bracket and Mount



801 West Robinson Drive, Suite 500, North Salt Lake, UT 84054
 ☎ 801/519-0500 📠 801/519-0501 ✉ sales@axtontech.com 🌐 www.axtontech.com

