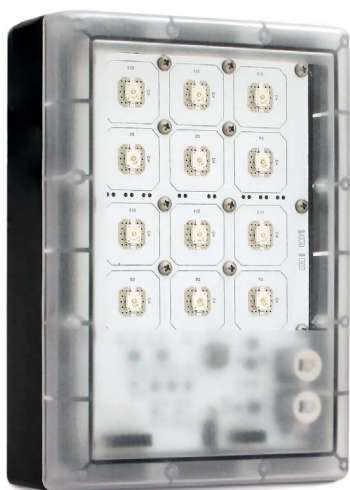


20H-S Hybrid Series

Infrared + Event Driven White Light



INFRARED and VISIBLE WHITE LIGHT

Powerful combination of IR and event-driven white (visible) light designed to aid the performance of wide-angle panoramic cameras.

WHITE LIGHT = COLOR PICTURE

Color images contain important information helpful to security professionals during an alarm, or in the after-the-fact event assessment.

EASY INTEGRATION and CONTROL

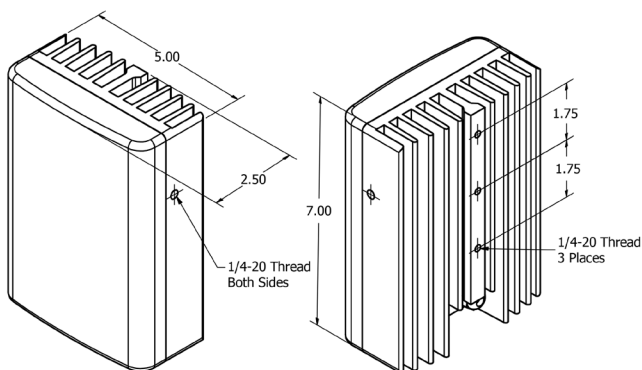
Connects to a camera AND an alarm (or any other trigger device) via I/O ports to turn ON the white light upon event occurrence.

MADE IN THE USA - LIFETIME WARRANTY

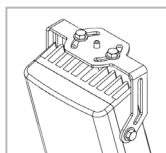
All products are designed and built in the USA and covered by a lifetime warranty.

SPECIFICATIONS

Wavelength	IR 850nm + White Light
Input Voltage	24 V AC/DC
Power Consumption	20W
Operating Temperature	-58°F...+140°F / -50°C...+60°C
Dimensions	5" x 7" x 2.5" / 127 x 178 x 64 mm
Weight	3 lbs/1.4kg.
Environmental	IP 67
Mounting	U-bracket & two 1/4 - 20 sockets

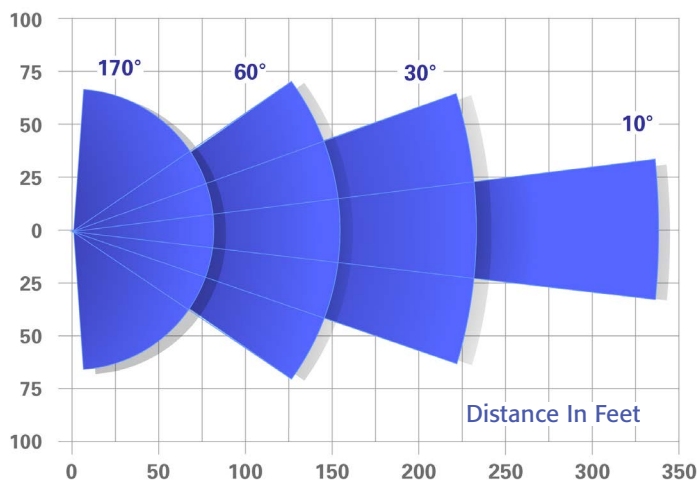


TILTING
U-BRACKET
included*



*Free to swap with
Robotix or L bracket

ILLUMINATION DISTANCE



Angle: 170°
Range: 85'/26m
HFOV: 170°/52m

Angle: 60°
Range: 155'/30m
HFOV: 155°/48m

Angle: 30°
Range: 230'/70m
HFOV: 120°/37m

Angle: 10°
Range: 340'/104m
HFOV: 60°/19m

TIPS:

Event-Driven Functionality

Connect the HYBRID light to a camera AND an alarm (or any other I/O trigger device) to switch ON upon pre-set conditions.

White (Visible) Light = Color Image

Color images contain important information helpful to security professionals during an alarm, or in the after-the-fact event assessment.

Night-time Surveillance & Crime Prevention

Use IR illumination by default for night-time surveillance. It isn't obtrusive, and doesn't contribute to light pollution in the area. White or Visible Light will turn ON upon alarm/event trigger to identify intruders and possibly prevent their further actions. A loud sound coupled with audio warning is also an effective deterrent tool.



801 West Robinson Drive, Suite 500, North Salt Lake, UT 84054
 ☎ 801/519-0500 📠 801/519-0501 ✉ sales@axtontech.com 🌐 www.axtontech.com

