

24E-S MegaPixel Series

Power-Over-Ethernet Optimized Infrared



SIMPLE INSTALLATION

Just connect CAT6 cable into appropriate midspan.

QUICK and EASY INTEGRATION

Retrofit into existing installation via a single cable using AXTON's PoE Pass-Thru kit. Synchronize with camera or any other system device with input or output capability, link multiple units together.

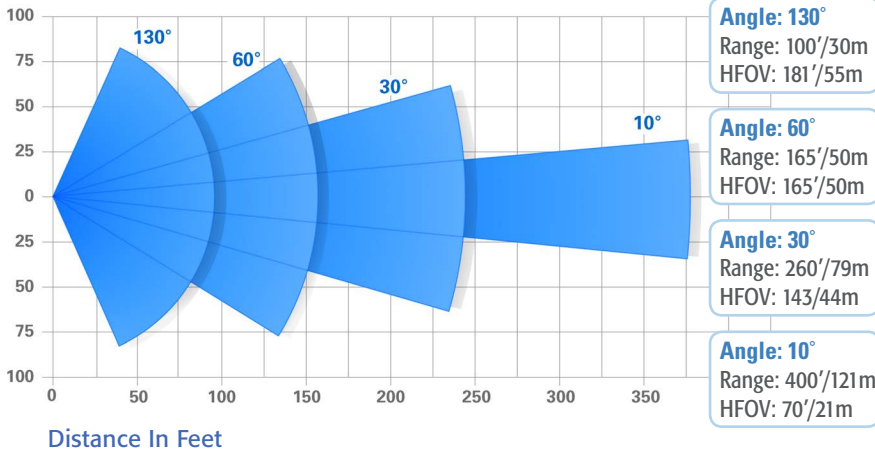
MADE IN THE USA

All products are designed and manufactured in the USA.

LIFETIME WARRANTY

All products are covered by a lifetime warranty with advanced replacement.

ILLUMINATION DISTANCE



SPECIFICATIONS

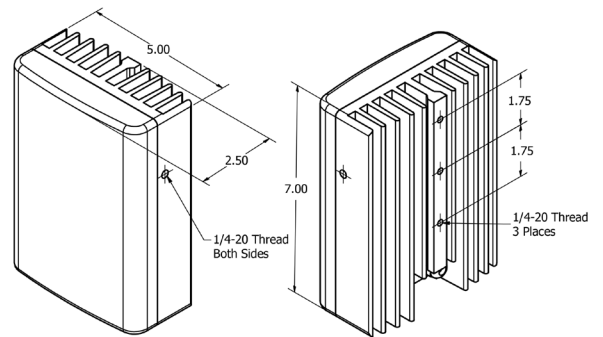
| | |
|-----------------------|------------------------------------|
| Wavelength | 850nm (semi-covert) |
| Input Voltage | PoE+, IEEE 802.3at |
| Power Consumption | 24 Watts |
| Operating Temperature | -58°F...+140°F / -50°C...+60°C |
| Dimensions | 5" x 7" x 2.5" / 127 x 178 x 64 mm |
| Weight | 3 lb/1.4 kg. |
| Environmental | IP 67 |
| Mounting | U-bracket / two 1/4 - 20 sockets |

TIPS:

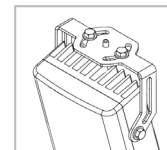
HFOV - Horizontal Field Of View - Coverage area in feet/meters or an angle for optimal system performance HFOV should be matched to cameras field of view. The greater the coverage angle the less illumination distance.

Retrofit the IR illuminator into existing installation without running additional cable. REQUIRES AXTON's Pass-Through Kit. Simply install mid-span from kit at head-end and use supplied T connector at camera location, that's it, done. Contact us for additional information

Consider using I/O ports to synch IR & Camera - Input/Output ports allow to hard-wire IR & the camera for seamless switching from day to night modes. You may also daisy chain multiple IRs to switch ON/OFF synchronously.



TILTING
U-BRACKET
included*



*Free to swap with
Mobotix or L bracket



801 West Robinson Drive, Suite 500, North Salt Lake, UT 84054
 ☎ 801/519-0500 📠 801/519-0501 ✉ sales@axtontech.com 🌐 www.axtontech.com

