

270° Panoramic Hybrid

Wide Coverage IR + White Light



INFRARED and VISIBLE WHITE LIGHT

Powerful combination of IR and event-driven white (visible) light designed to aid the performance of wide-angle panoramic cameras.

WHITE LIGHT = COLOR PICTURE

Color images contain important information helpful to security professionals during an alarm, or in the after-the-fact event assessment.

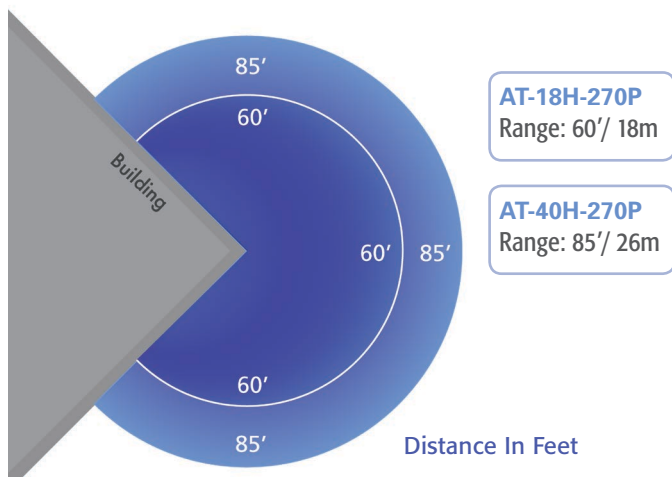
EASY INTEGRATION and CONTROL

Connects to a camera AND an alarm (or any other trigger device) via I/O ports to turn ON the white light upon event occurrence.

MADE IN THE USA - LIFETIME WARRANTY

All products are designed and built in the USA and covered by a lifetime warranty.

ILLUMINATION DISTANCE



SPECIFICATIONS

Wavelength	850nm/ White Light
Input Voltage	24V AC/DC, 110 or 220 VAC
Power Consumption	18 or 40 Watts
Operating Temperature	-58°F...+140°F / -50°C...+60°C
Dimensions	10.5" x 15" x 14.5" / 266mm x 381mm x 368mm
Weight	7 - 15.8 lbs / 3.2 - 7.2 kg
Environmental	IP 67
Mounting	Adjustable Pan / Tilt Panoramic

TIPS:

Event-Driven Functionality

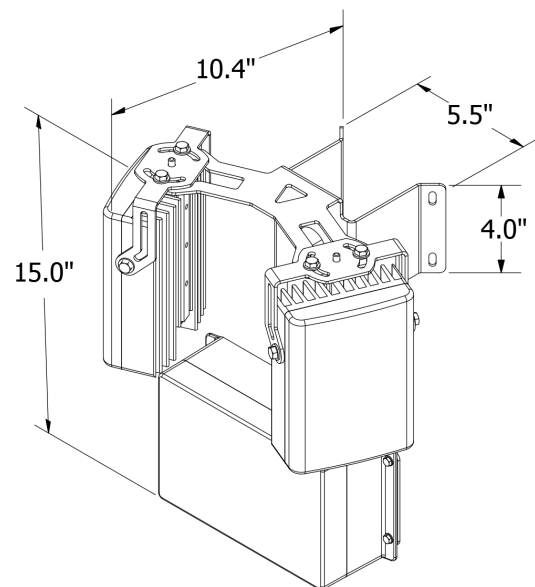
Connect the HYBRID light to a camera AND an alarm (or any other I/O trigger device) to switch ON upon pre-set conditions.

White (Visible) Light = Color Image

Color images contain important information helpful to security professionals during an alarm, or in the after-the-fact event assessment.

Night-time Surveillance & Crime Prevention

Use IR illumination by default for night-time surveillance. It isn't obtrusive, and doesn't contribute to light pollution in the area. White or Visible Light will turn ON upon alarm/ event trigger to identify intruders and possibly prevent their further actions. A loud sound coupled with audio warning is also an effective deterrent tool.



801 West Robinson Drive, Suite 500, North Salt Lake, UT 84054

☎ 801/519-0500 📠 801/519-0501 ✉ sales@axtontech.com 🌐 www.axtontech.com

