

# 270° Panoramic

Extra Wide Coverage IR



## PANORAMIC INFRARED LIGHTING

Extra wide coverage angle to aid the performance of wide-angle panoramic cameras.

## MULTIFUNCTIONAL PAN/TILT MOUNT

Fully adjustable Pan/Tilt mount with integrated junction box or power supply to simplify installation and add illumination control.

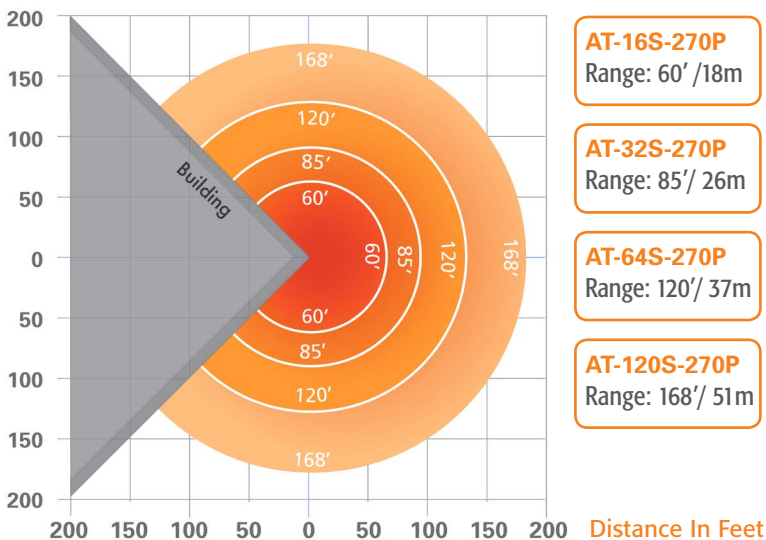
## EASY INTEGRATION and CONTROL

Seamless & precise camera sync via I/O ports or via automatic Night/Day sensor.

## LIFETIME WARRANTY - MADE IN THE USA

All products are covered by a lifetime warranty with advanced replacement. All illuminators are designed and manufactured in the USA.

## ILLUMINATION DISTANCE



## SPECIFICATIONS

Wavelength	850nm (semi-covert)
Input Voltage	24V AC/DC, 110 or 220 VAC
Power Consumption	16, 32, 64 or 120 Watts
Operating Temperature	-58°F...+140°F / -50°C...+60°C
Dimensions	13.8" x 16" x 7.6" / 350 x 406 x 193mm
Weight	7 - 15.8 lbs / 3.2 - 7.2 kg
Environmental	IP 67
Mounting	Adjustable Pan/Tilt U bracket & Mount

### TIPS:

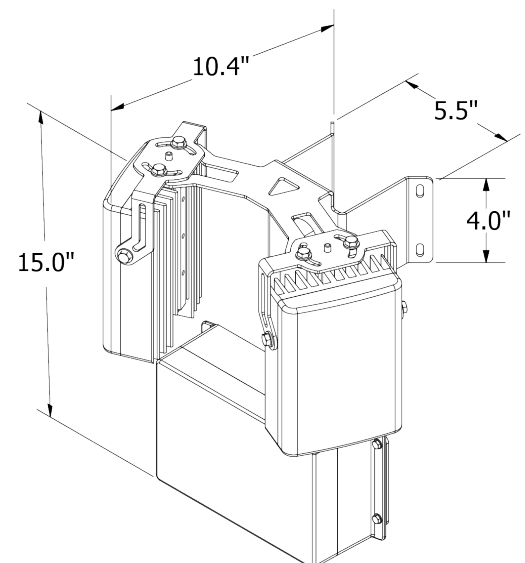
**HFOV - Horizontal Field Of View** - Coverage area in feet/meters or an angle. For optimal system performance HFOV should be matched to camera's field of view. The greater the coverage angle the less illumination distance.

#### Use IR-Corrected Lens

Non IR-Corrected lenses may produce blurry images due to focus shift caused by IR light, this requires refocusing.

#### Consider using I/O ports to sync with Camera

Input/Output ports allow to hard-wire IR & the camera for seamless switching from day to night modes. You may also daisy chain multiple IRs to switch ON/OFF in unison.



801 West Robinson Drive, Suite 500, North Salt Lake, UT 84054  
 ☎ 801/519-0500 📠 801/519-0501 ✉ sales@axtontech.com 🌐 www.axtontech.com

