

32S Smart Series

Infrared Illumination



EASY INTEGRATION and CONTROL

Seamless & precise integration via I/O ports.
 Link multiple units together. Sync with camera or any other system device with input or output capability.
 Automatic On/ Off, Night/ Day switch via built-in photocell.

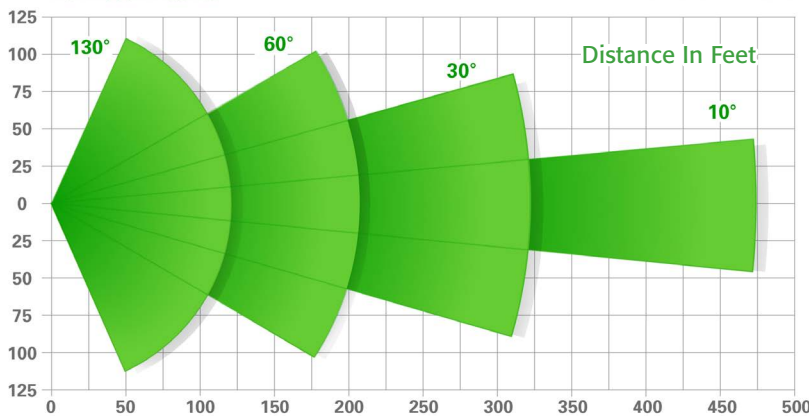
SIMPLE INSTALLATION

Extended range (12-36) VDC or (12-24) VAC low-voltage input for simplified installation.

LIFETIME WARRANTY - MADE IN THE USA

All products are covered by a lifetime warranty with advanced replacement. All illuminators are designed and manufactured in the USA.

ILLUMINATION DISTANCE



Angle: 130°

Range: 120'/36m
 HFOV: 215'/65m

Angle: 60°

Range: 210'/64m
 HFOV: 190'/58m

Angle: 30°

Range: 320'/97m
 HFOV: 165'/50m

Angle: 10°

Range: 475'/144m
 HFOV: 100'/30m

TIPS:

HFOV - Horizontal Field Of View - Coverage area in feet/meters or an angle. For optimal system performance HFOV should be matched to cameras field of view. The greater the coverage angle the less illumination distance.

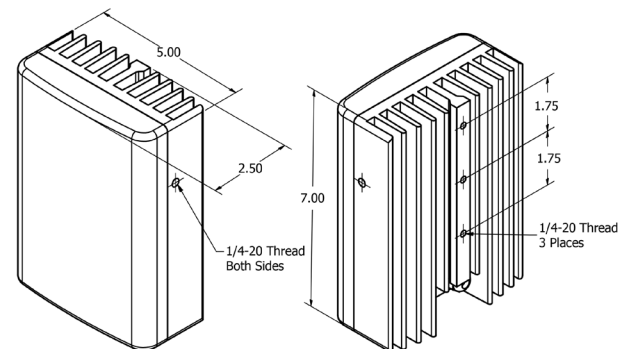
Use IR-Corrected Lens - Non IR-Corrected lenses may produce blurry images due to focus shift caused by IR light, this requires refocusing.

To increase the range place several IRs together:
 Two units = 40% more range, Three units = 70% more range

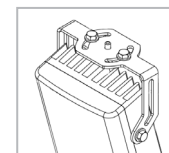
Consider using I/O ports to synch IR & Camera - Input/Output ports allow to hard-wire IR & the camera for seamless switching from day to night modes. You may also daisy chain multiple IRs to switch ON/OFF synchronously.

SPECIFICATIONS

Wavelength	850nm (semi-covert)
Input Voltage	(12 - 36)V DC or (12 - 24)V AC
Power Consumption	32 Watts
Operating Temperature	-58°F...+140°F / -50°C...+60°C
Dimensions	5" x 7" x 2.5" / 127 x 178 x 64 mm
Weight	3 lbs/1.4kg.
Environmental	IP 67
Mounting	Tilting U-bracket



TILTING
 U-BRACKET
 included*



*Free to swap with
 Mototix or L bracket



801 West Robinson Drive, Suite 500, North Salt Lake, UT 84054
 ☎ 801/519-0500 📠 801/519-0501 ✉ sales@axtontech.com 🌐 www.axtontech.com

