

9H-S Hybrid Series

Infrared + Event Driven White Light



INFRARED and VISIBLE WHITE LIGHT

HYBRID combines powerful IR illumination and event-driven white light into one compact solution.

WHITE LIGHT = COLOR PICTURE

Color images contain important information helpful to security professionals during an alarm, or in the after-the-fact event assessment.

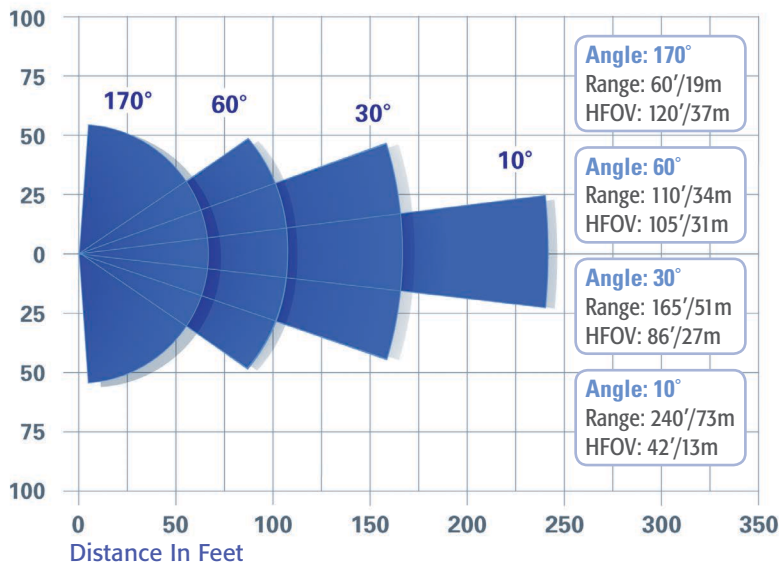
EVENT-DRIVEN FUNCTIONALITY

Connects to a camera AND an alarm (or any other trigger device) via I/O ports to turn ON the white light upon event occurrence.

MADE IN THE USA - LIFETIME WARRANTY

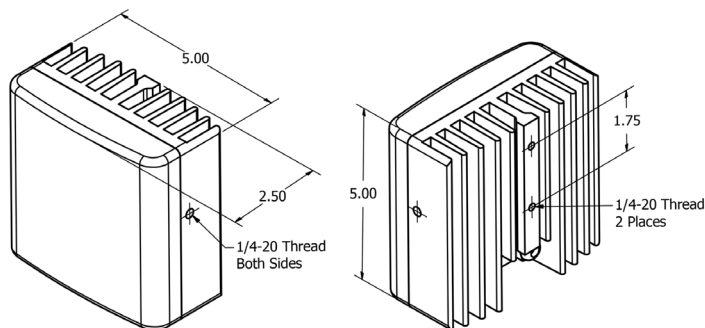
All products are designed and built in the USA and covered by a lifetime warranty.

ILLUMINATION DISTANCE

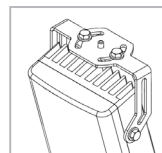


SPECIFICATIONS

Wavelength	850nm IR (semi-covert) + White
Input Voltage	12-36VDC or 12-24VAC
Power Consumption	9 Watts
Operating Temperature	-58°F...+140°F / -50°C...+60°C
Dimensions	5" x 4.9" x 2.5" / 127 x 125 x 64 mm
Weight	2 lbs/0.95kg.
Environmental	IP 67
Mounting	Tilting U-Bracket (included)



TILTING
U-BRACKET
included*



*Free to swap with
Motobix or L bracket

TIPS:

Event-Driven Functionality

Connect the HYBRID light to a camera AND an alarm (or any other I/O trigger device) to switch ON upon pre-set conditions.

White (Visible) Light = Color Image

Color images contain important information helpful to security professionals during an alarm, or in the after-the-fact event assessment.

Night-time Surveillance & Crime Prevention

Use IR illumination by default for night-time surveillance. It isn't obtrusive, and doesn't contribute to light pollution in the area. White or Visible Light will turn ON upon alarm/event trigger to identify intruders and possibly prevent their further actions. A loud sound coupled with audio warning is also an effective deterrent tool.



801 West Robinson Drive, Suite 500, North Salt Lake, UT 84054
 ☎ 801/519-0500 📠 801/519-0501 ✉ sales@axtontech.com 🌐 www.axtontech.com

