

Fingerprint Identification Proximity Reader

- 1:1 Verification and 1:N Identification
- ID Only Function for Unregisterable Personnel
- Various Identification Methods (Card and Fingerprint Combination)
- Fingerprint Registration: 1,000 / 2,000 / 4,000
- Communication: RS232, RS422, Ethernet(Optional)



FGR006 Series

High Compatibility
Fingerprint RF Reader
(Fingerprint/RFID)

Fingerprint Identification Proximity Reader **FGR006 Series**



Key Features

- Built-in Encrypted 125KHz Reader (FGR006, IP-FGR006), 13.56MHz Reader (FGR006SR, FGR006SRB)
- Fingerprint Registration: 1,000 / 2,000 / 4,000 Users
- Identification Method: 125KHz: RF Only, Fingerprint Only, RF + Fingerprint
13.56MHz: SMART Card Only, Fingerprint Only, SMART Card + Fingerprint
- Designed to Withstand ESD (Electro Static Discharge) Shock
- Tamper Switch (1EA)
- Reverse Polarity Protection
- Various Communication Methods: RS232, RS422, Ethernet (Optional)
- Supervisory Signal Transmission for Device Operation Status Check (Optional)

* FGR006SRB

- Identifies Card that has been issued by PRG2000B Card Programmer (ID and Fingerprint Template Encrypted into Smart Card)
- Maintains High Security as the Card cannot be Duplicated without Data Sector and Secure Key Information
- Protects User Privacy as Encrypted Fingerprint Information is Stored in User's Card (Fingerprint Information is not Stored in the Device or Database)

-
- **FGR006**: 125KHz (PSK Format / IDC Type): RF (FP) Only or RF + Fingerprint
 - **IP-FGR006**: 125KHz (ASK[EM] Format): RF (FP) Only or RF + Fingerprint
 - **FGR006SR**: 13.56MHz (MIFARE[®], ISO14443 Type A) SMART Card (FP) Only or SMART Card + Fingerprint
 - **FGR006SRB**: Encrypted Fingerprint Information is Stored in User's SMART Card (Card Registered with PRG2000B Programmer Kit)

Fingerprint Identification Proximity Reader **FGR006 Series**

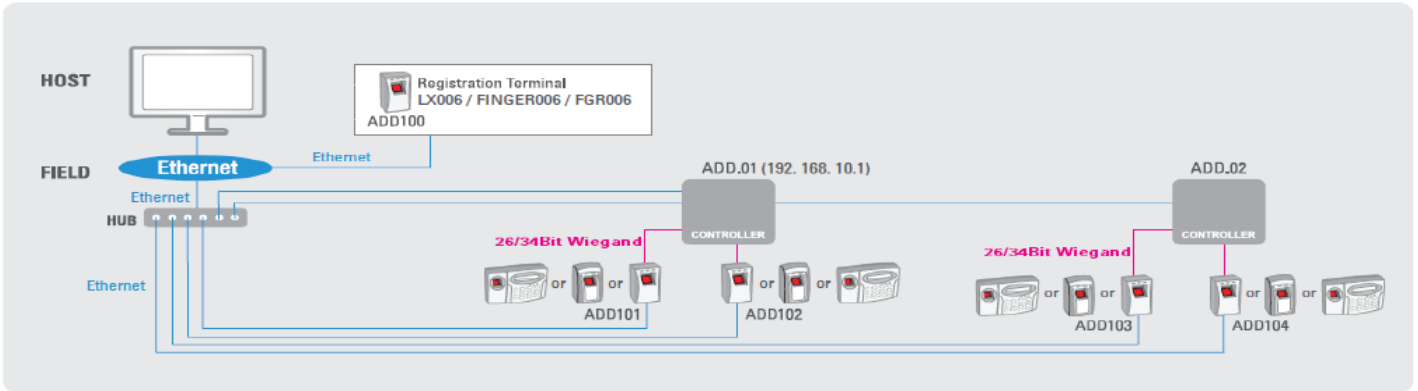


Specifications

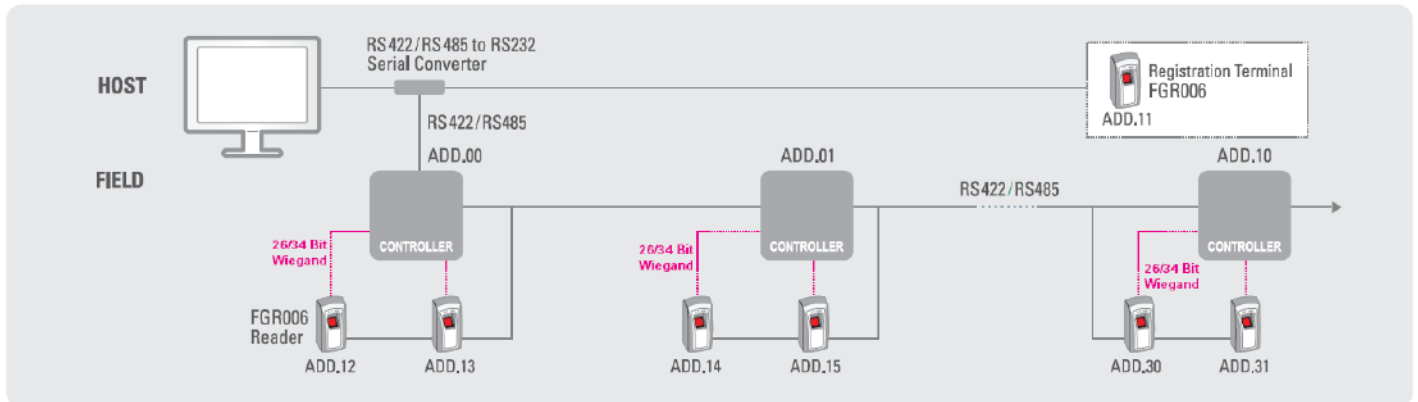
Model		FGR006 / IP-FGR006	FGR006SR	FGR006SRB
CPU		32 Bit ARM9 and Dual 8Bit Microprocessor		
Memory	Fingerprint Module	Program Memory: 1MByte Flash Memory Data Memory: 1MByte / 2MByte / 4MByte Flash Memory		
	Controller	Program Memory: 128KByte Flash Memory Data Memory: 1MByte Flash Memory		
Fingerprint User		1,000 / 2,000 / 4,000 Users		
Fingerprint Template Size		800Bytes for 2 Fingerprint Templates		
Read Range		FGR006: IDC80 / IDC170: Up to 4 Inch (10cm) IP-FGR006: IPC80 / IPC170: Up to 4 Inch (10cm)	ISC80: Up to 10cm IHC80: Up to 5cm	
Reading Time (Card)		30ms		
Verification Time		Less than 1 sec		
Identification Time		Less than 2 sec		
Power / Current		DC 12V / Max. 250mA		
External Reader Port		1 EA: 26bit Wiegand, 4/8bit Burst for PIN for Anti-Passback	1 EA: 34bit Wiegand, 4/8bit Burst for PIN for Anti-Passback	1 EA: 26bit Wiegand, 4/8bit Burst for PIN for Anti-Passback
Communication		RS232 / RS422 (Max.32ch), Ethernet (External Converter Required / Optional)		
Communication Speed	Serial	Default: 9,600bps Selectable: 19,200bps / 38,400bps / 57,600bps / 115,200bps		
	Ethernet	10 / 100Mbps		
Input Port		2 EA: Error-Input, OK-Input		
Output Port		3 EA: Error-Output, OK-Output, Tamper-Output (Open Collector)		
Output Type		26Bit Wiegand (Default), ABA Track II (Optional)	34Bit Wiegand (Default), ABA Track II (Optional)	26Bit Wiegand
LED Indicator		7 LED Indicators		
Buzzer		Piezo Buzzer		
LCD		Character LCD (2 Lines x 16 Char) 65.6 x 13.8mm (2.62" x 0.55") Screen		
Operating Temperature		Fingerprint Module: -20°C ~ +60°C	RF Reader: 0°C ~ +50°C	
Operating Humidity		10% ~ 90% Relative Humidity, Non - Condensing		
Color / Material		Dark Pearl Gray / Polycarbonate		
Dimension (W x H x T)		66mm x 129mm x 52mm		
Weight		259.5g (0.57lbs)		
Certification		FCC, CE, KCC, RoHs		
Fingerprint Module Specifications				
Resolution / Capture Image Size / Extract Image Size	500 dpi / 640 x 480 pixels / 260 x 300 pixels			
Sensor Area / Scanner	15 x 18.5mm / High Quality Optical Scanner			
FAR / FRR	0.001% / 0.1% / ±8 KV			
ESD Tolerance	±8 KV			

Fingerprint Identification Proximity Reader **FGR006 Series**

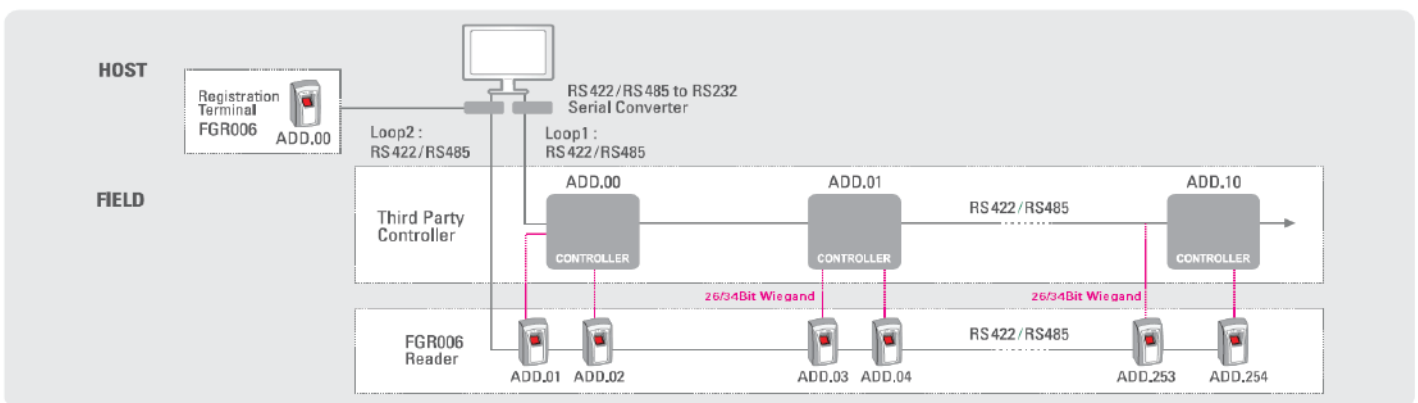
Ethernet Communication Configuration



Serial Communication Configuration



3rd Party Controller with FGR006 Configuration



Headquarters: IDTECK CO., Ltd.

5F, Ace Techno Tower Bldg, 468, Gangseo-Ro, Gangseo-gu, Seoul, 07573, Korea
Tel. +82-2-2659-0055 | Fax: +82-2-2659-0086
Email: sales@idteck.com | overseas@idteck.com | Website: www.idteck.com

North America: IDTECK Global Inc.

1555 W. Redondo Beach Blvd #100 Gardena, CA 90247
Tel. +1-310-819-8115
Email: sales@idteckglobal.com | Website: www.idteckglobal.com

The specifications contained in this catalog are subject to change without notice at any time. Copyright © IDTECK Co., Ltd.

IDTECK
Your Security Partner